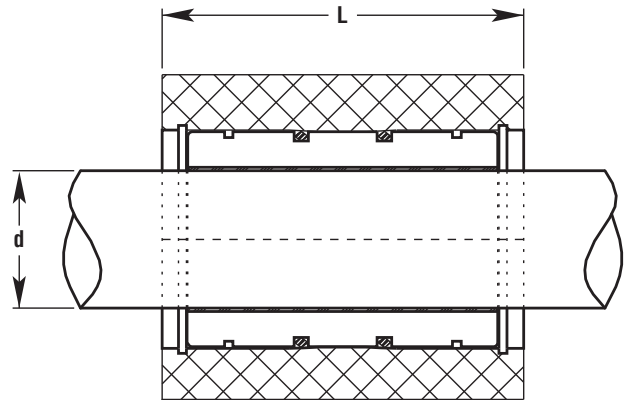
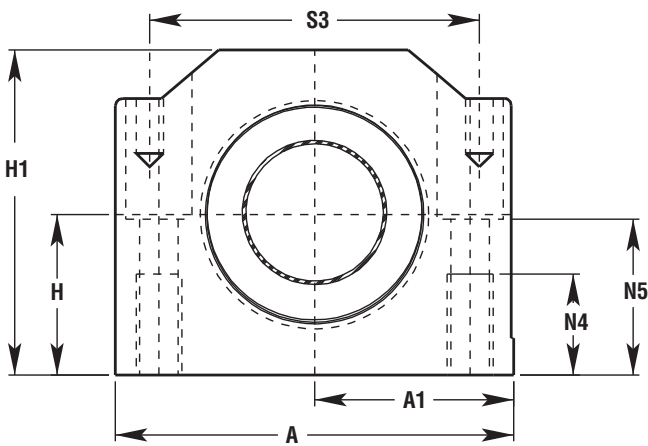
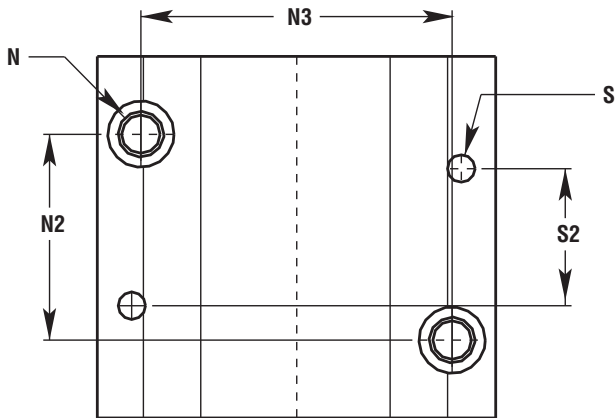




SIMPLICITY® SPECIFICATIONS • ISO Metric Pillow Blocks



CLOSED PILLOW BLOCKS

PART NO. CLOSED	COMPEN.	d NOM. I.D. MIN.	H CENTERLINE .015	H1 HEIGHT	A WIDTH	A1 .013	L LENGTH	N BOLT	N2	N3	N4	N5	S	S2	S3	MAX. STATIC LOAD (kg.) FRELO		ASSEM. WT. (kg.)
																GOLD	F & J	
PM 08	PM 08 C	8	15	28	35	17.5	32	M4 x 0.7	20.15	25.15	9	14.5	N/A	N/A	N/A	N/A	N/A	0.069
PM 10	PM 10 C	10	16	31.5	40	20	36	M5 x 0.8	20.15	29.15	11	15	4	29	31	610	305	0.095
PM 12	PM 12 C	12	18	35	43	21.5	39	M5 x 0.8	23.15	32.15	11	16.5	4	32	34	806	403	0.118
PM 16	PM 16 C	16	22	42	53	26.5	43	M6 x 1.0	26.15	40.15	13	21	4	35	42	1210	605	0.200
PM 20	PM 20 C	20	25	50	60	30	54	M8 x 1.25	32.15	45.15	18	24	5	45	50	1890	945	0.329
PM 25	PM 25 C	25	30	60	78	39	67	M10 x 1.5	40.15	60.15	22	29	6	20	64	3046	1523	0.655
PM 30	PM 30 C	30	35	71	87	43.5	79	M10 x 1.5	45.15	68.15	22	34	6	30	72	4284	2142	1.020
PM 40	PM 40 C	40	45	91	108	54	91	M12 x 1.75	58.15	86.15	26	44	8	35	90	6720	3360	1.846
PM 50	PM 50 C	50	50	105	132	66	113	M16 x 2.0	50.2	108.2	34	49	10	42	108	10500	5250	3.169

- NOTES:** (1) Standard pillow block assembly includes self-aligning housing and precision bearing.
 (2) All standard metric pillow blocks use standard "FM" series bearings found on page 48.
 (3) Straight bore pillow block assembly includes standard O.D. "FM" series bearing in straight bore housing.

FrelonGOLD®, FrelonJ® and FrelonF® are registered trademarks of Pacific Bearing.